

MULTI TROLLEY WORKER 6.0

Assembly and Use



Multi Trolley

Smart • Simple • Safe

Contents

- 1x Frame with 4x locknut
- 4x Wheel
- 2x Fixed support poles 42cm
- 2x Adjustable support posts 56cm
- 2x Adjustable support posts 76cm
- 4x Mounting brackets for adjustable support posts
- 4x Adjustable handle

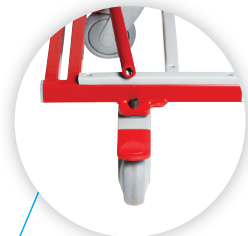


Assembly

For quick and easy assembly, follow these instructions:



Attach mounting plates either side of frame.



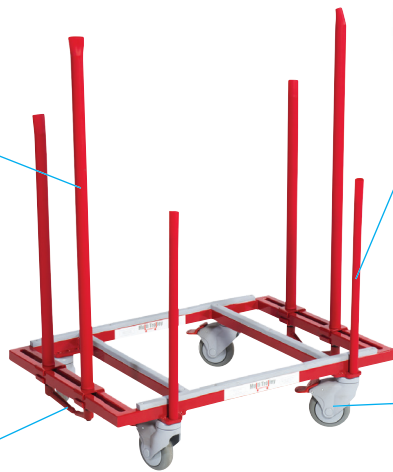
Ensure these are properly mounted and tightened.



Turn handle to adjust post.
Press button to adjust handle positioning only.



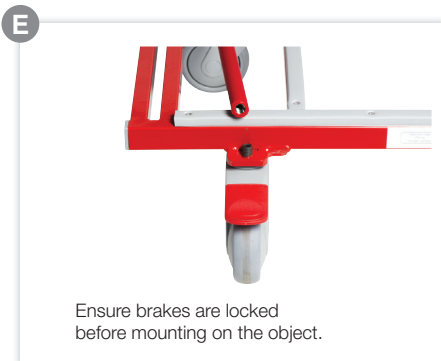
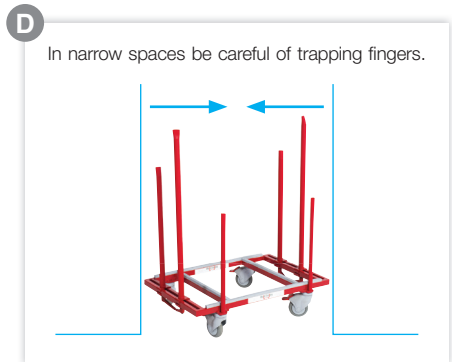
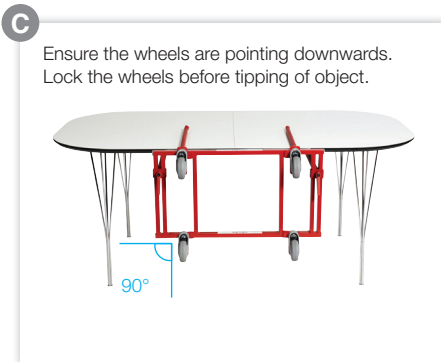
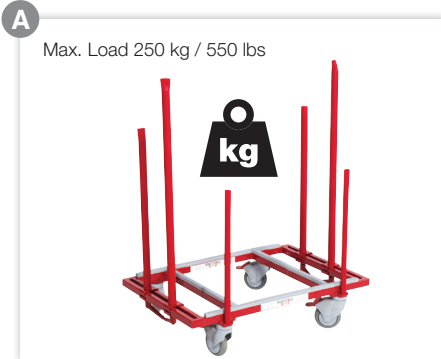
Ensure locknut is screwed securely before use
19mm wrench.



Keep assembly and user manual for future reference.

Use

Before use check mountings of wheels, fixed support poles and adjustable support posts. For secure use observe the following points below:



MULTI TROLLEY WORKER 6.0

Technical Specifications

Height: 780 mm

Width: 520 mm

Adjustable posts: 760 mm and 560 mm

Fixed posts: 420 mm

Weight: 16 kg / 35 lbs

MULTI TROLLEY WORKER 6.0

Applications

Recommended post length

	Fixed pole 42 cm	Adjustable post 56 cm	Adjustable post 76 cm	Adjustable post 96 cm
Desk	✓		✓	
Table	✓		✓	
Conference table, large	✓			✓
Conference table, small	✓		✓	
Bed	✓		✓	
Bed, King Size	✓			✓
Sofa	✓	✓		
Whiteboard, large	✓			✓
Whiteboard, small	✓		✓	
Door		✓*		✓
Panel		✓*		✓
Folding table		✓*		✓
Cabinet, bookshelf, etc.	<i>No posts or poles required</i>			

* Replaces Fixed poles 42cm



Nastagatan 2, 702 27 Örebro, Sweden
 info@multitrolley.com | multitrolley.com
 Tel. +46 (0) 19-27 27 32



www.facebook.com/multitrolley



<https://twitter.com/multitrolley>



<http://instagram.com/multitrolley>



<https://www.youtube.com/user/themultitrolley>